

DHI-ASGY510C-L

Dahua Flap Barrier(Left)DHI-ASGY510C-L



Series Overview

The Flap Barrier is used to help manage and regulate the people that access an area. It records data on people who enter and exit, and supports unlocking through face recognition, card swipe, scanning the QR code and more. This barrier is ideal for use in office buildings, banks, hospitals, commercial compounds, tourist attractions, schools, communities and more.

Scene

Suitable for access control of entrances and exits in communities, schools, factories, parks, office building and more.

Technical Specification

System	
Main Processor	Embedded Processor
Basic	
Product Type	Flap barrier
Motor	Brushless DC motor
Status Indicator Light	Blue light: Standby Flashing red light: Abnormal Solid green light: Authenticated Flashing green light: Permitted to pass
Casing Material	SUS304
Function	
Online Update	Yes
Performance	
MCBF	≥ 5 million times
Product Life Span	≥ 7 million times

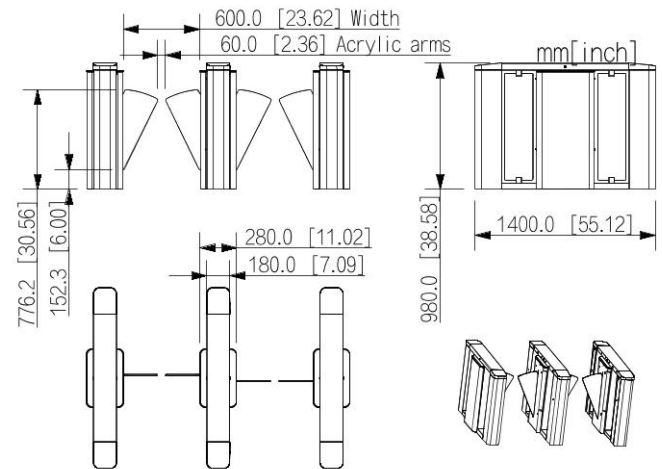
- Offers the mechanical and IR anti-squeeze functions.
- Supports second authentication, and memorizing passing data for entry and exit.
- Automatically opens the barrier in a fire and triggers alarms.
- Offers 4 security level modes that are suitable for different scenes.
- Features 9 modes for entry and exit including controlled, prohibited, and free. Combine these modes for more options.
- Supports configuring the speed it opens and closes, passing time for people, and delaying the closing time.
- The sound and light alarms are triggered when the system detects events such as intrusion, tailing, reverse intrusion, staying in area, abnormal unlock, jumping the barrier, barrier failure, and IR fault.
- Uses a DC Brushless servo motor.
- MCBF (Mean Cycles between Failures) is no less than 5,000,000 times.
- 12 pairs of IR detectors.
- Comes with acrylic arms that form a passage with 600 mm width, and customization is not supported.
- Supports being connected to multiple types of modules such as face, fingerprint, QR code, CPU card reader, and ID card reader module. Combine these modules for more options.
- Supports being unlocked with a remote control. The remote control is sold separately.

Card Reading Distance	0 cm–5 cm (0"–1.97")
Max Custom Passage Width	Acrylic: 600 mm (23.62")
Input Port	RS–232, RS–485
Passing Speed	20–60 people/minute
Unlock/Lock Speed	≥ 0.5 s
Pairs of IR Detectors	12 pairs
Cabinet Thickness	1.2 mm (0.05")
Top Cover Thickness	1.2 mm (0.05")
Frame Thickness	1.2 mm (0.05")
Barrier Material	Acrylic
Barrier Thickness	12 mm (0.47")
Type of Face Module Installation Hole	Simple
Location of Face Module Installation Hole	Exit
Number of Face Module Installation Holes	0

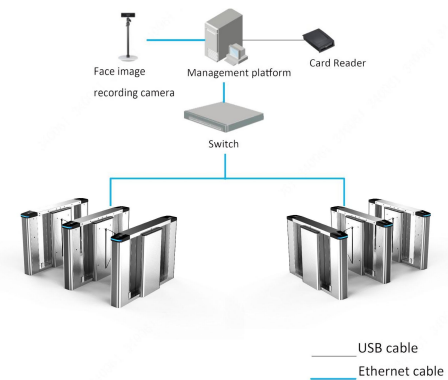
Flap Barrier | DHI-ASGY510C-L

Number of Access Controllers	0
Card Swiping	Yes
Standard Height of Customized Barrier	776.2 mm (30.56")
Port	
Network Port	One RJ-45
Capacity	
User Capacity	100000
Card Capacity	100000
Record Capacity	100000
General	
Power Supply	Left: 24 VDC 6 A
Vandal-proof Rating	IK06, IK08
Protection	IPX4
Power Consumption	≤ 10 W (standby), ≤ 130 W (working)
Product Dimensions	1,400 mm × 280 mm × 980 mm (55.12" × 11.02" × 38.58") (L × W × H)
Module Protruding Size	100 mm (3.94")
Packaging Dimensions	1,550 mm × 400 mm × 1,220 mm (61.02" × 15.75" × 48.03") (L × W × H)
Gross Weight	100 kg (220.47 lb)
Operating Temperature	-25 °C to +70 °C (-13 °F to +158 °F)
Operating Humidity	5%–90% (RH), non-condensing
Operating Environment	Indoor
Storage Temperature	0 °C to +50 °C (32 °F to +122 °F)
Storage Humidity	5%–90% (RH), non-condensing

Dimensions (mm[inch])



Application



Ordering Information

Type	Model	Description
Flap Barrier	DHI-ASGY510C-L	Dahua Flap Barrier(Left)DHI-ASGY510C-L