



TC-D343 Spec:MON/P/V2.0

43-inch Plastic LED Monitor



KEY FEATURES

- Size: 43 inches
- Resolution: 1920*1080
- Ratio: 16:9
- Backlight: LED
- Brightness: $\geq 250\text{cd/m}^2$
- Field of view: 178°
- Interface: HDMI*1, VGA*1, USB*1
- Material: plastic
- Standard speaker, HDMI cable, base or stand, remote control
- MTBF ≥ 30000 hours

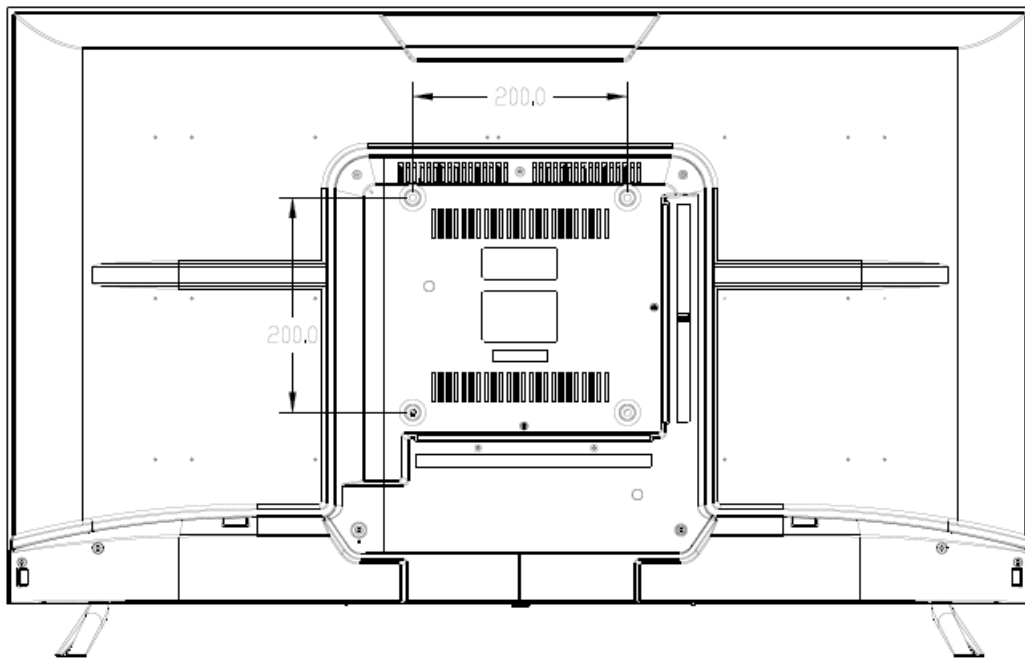
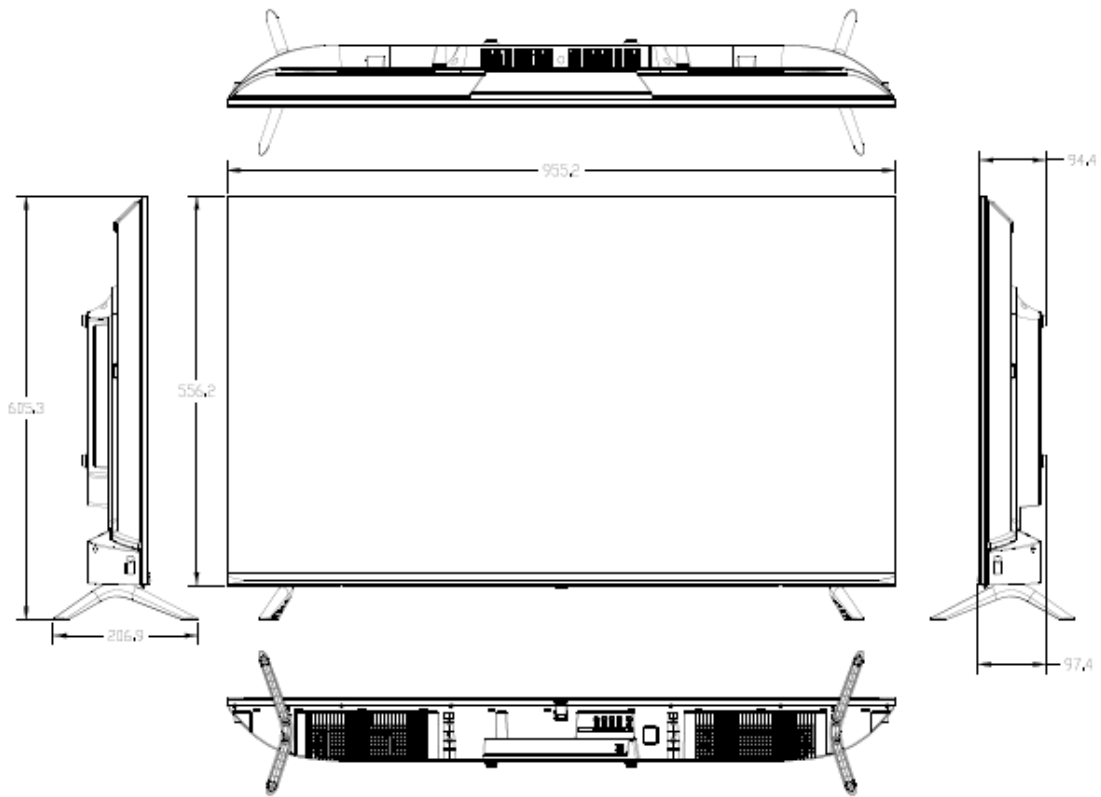


SPECIFICATIONS

| | |
|---|--|
| Panel type | IPS |
| Panel size | 43" |
| Aspect ratio | 16:9 |
| Gauge(mm) | 0.49005*0.49005 |
| Resolution | 1920×1080 |
| Luminance(cd/m²) | 300 |
| Contrast | 1000:1 |
| Response time(ms) | 8 |
| Refresh rate | 60HZ |
| Colouration | 70%NTSC |
| Display size(mm) | 940.896(H)×529.254(V) |
| Viewpoint(H/V) | 178 °(H)/ 178 °(V) |
| Video input | 1*HDMI +1*VGA+1*USB |
| Video output | N/A |
| Audio input | N/A |
| Audio output | Speaker*2+Audio in |
| Control interface | N/A |
| Speaker | 8Ω10W |
| OSD(Language) | 13,countries (English,French,Spanish,Portuguese,German,Italian,Dutch,Swedish,Finnish,Polish, Czech,Russian,Simplified Chinese) |
| Wall mounting holes (mm) | 200*200 |
| Wall mounted threads | M6(Thread Depth 10mm) |
| Input Voltage | 100 V ~ 240 V, 50-60 Hz |
| Typical power consumption(W) | ≤90 |
| Standby power consumption(W) | ≤0.5 |
| Operating temperature | 0°C ~ 40°C |
| Operating humidity | 10% ~ 80% RH Non-Condensing |
| Storage humidity | 10% ~ 90% RH Non-Condensing |
| Bare metal size(mm) | 955.2(W)*206.9(D)*605.3(H) |
| Package Size(mm) | 1055(W)*141(D)*645(H) |
| Net weight(Kg) | 6.4 |
| Gross weight(Kg) | 8 |

Tiandy

DIMENSIONS (Unit: mm)



Tiandy Technologies Co.,Ltd



Tiandy Overseas



Tiandy



@tiandyofficial

Tiandy Technologies Co.,Ltd.

Email: sales@tiandy.com

Tel: +86-22-58596065

Website: en.tiandy.com

Fax: +86-22-58596048